

# Wide Area Squeegee Assembly

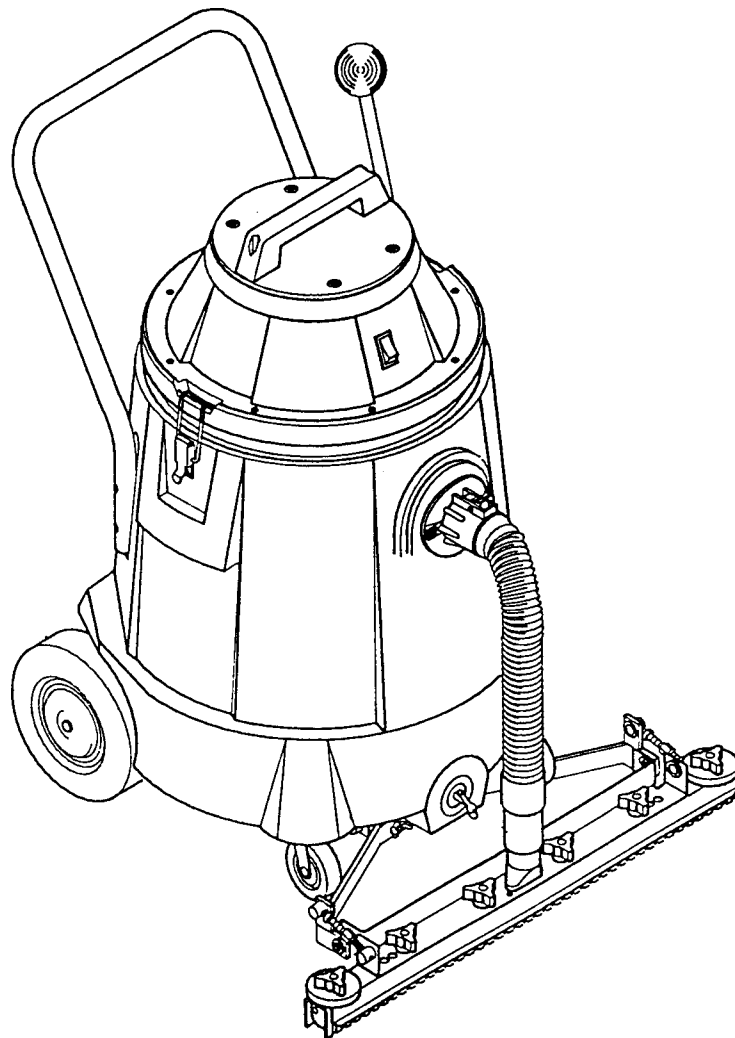
Model: 470300  
470600

OPERATION

SERVICE

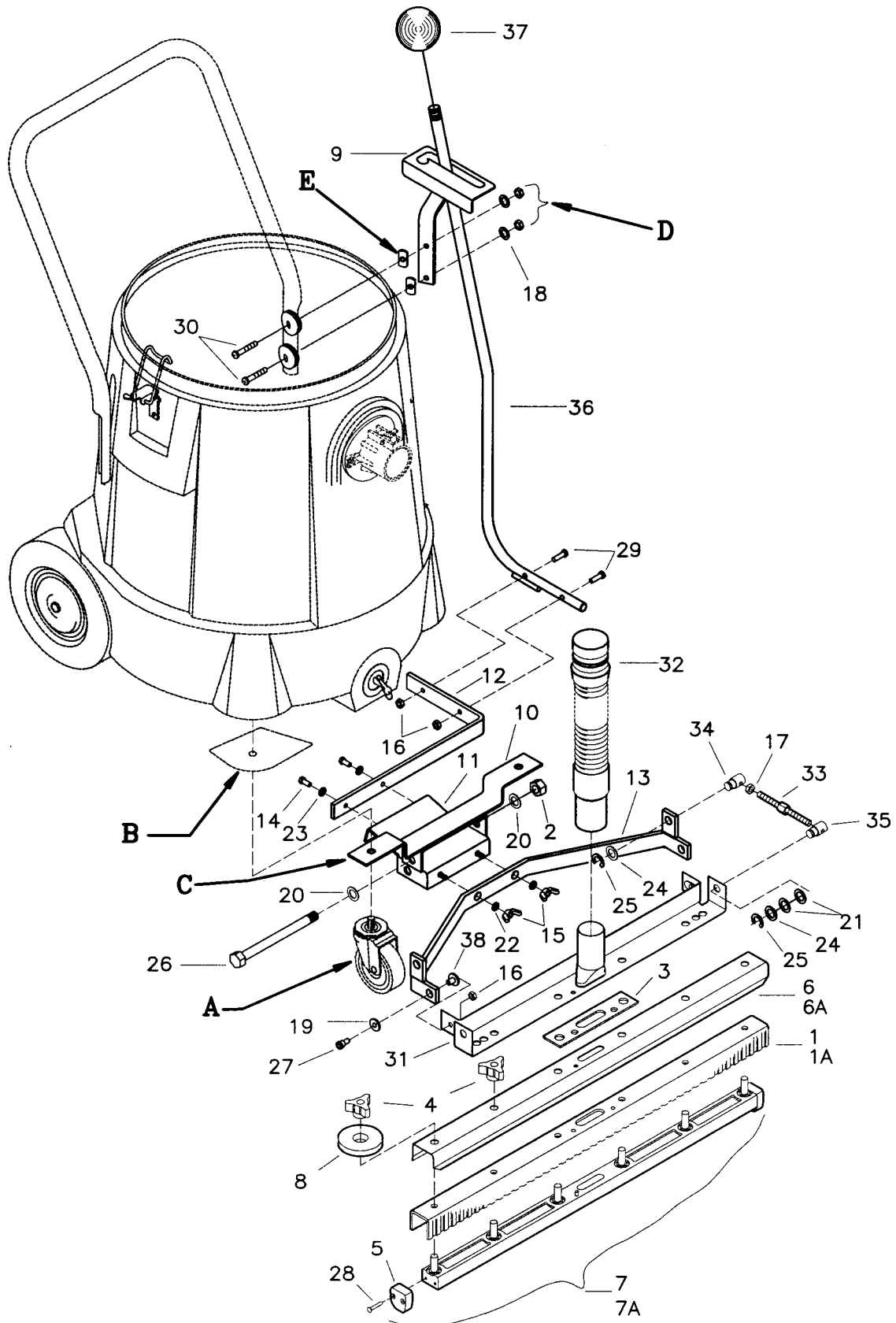
PARTS

CARE



Revised 2/04

**Minuteman**<sup>®</sup>



## PARTS LISTING

ITEM	PART	QTY	DESCRIPTION	ITEM	PART	QTY	DESCRIPTION
1	11-145	1	Squeegee Gum Rubber (470300)	19	711506	2	WSR-Flat 5/16 (Narrow) STPL
1A	210065	1	Squeegee Blade 200 Gum (470600)	20	711509	2	WSR-Flat 1/2
2	364-816	1	Nut-Nyloc 1/2-13 Half	21	711524	6	WSR-Wave .52 x .87 x .01
3	430073	1	Gasket Diecut PS Back	22	711544	2	WSR-Helical 1/4
4	430074	6	Adjusting Nut 17B/E	23	711554	2	WSR-Int Lock 1/4
5	430076	2	Nylon Squeegee Insert	24	711594	4	WSR-Flat .56 x .88 x .03 Nickel
6	430078	1	U Profile (470300)	25	711713	4	Ret Ring-E Ext .50
6A	210024	1	Squeegee U Profile (470600)	26	712013	1	BLT-HH 1/2-13 x 6.00
7	430079	1	Casting Squeegee Asy (470300)	27	712041	2	BLT-Shoulder 1/4-20 x .44 x .3
7A	210023	1	Squeegee Casting Asy (470600)	28	712517	4	SCR-MC FL HD 8/32 x 1 SS
8	430085	2	Squeegee Bumper Wheel	29	712564	2	BLT-HH 1/4-20 x 1.00 SS
9	470005	1	Lever Lock Asy	30	712569	2	SCR-MC 1/4-20 x 1.50 SS
10	470301	1	Squeegee Mounting Bracket	31	750139	1	Squeegee Mtg. Bkt. Asy
11	470302	1	Squeegee Mounting Pivot Box	32	750140-1	1	Vac Hose Asy w/new cuff
12	470303	1	Lift Bracket	33	750689	2	Stud, Adjusting
13	470304	1	Pivot Bracket Weldment	34	762256PLT	2	Nut Adj. LH Zinc PLT
14	711203	2	BLT-HH 1/4-20 x .62	35	762257PLT	2	Nut Adj. RH Zinc Dicromat
15	711364	2	Nut-Wing 1/4-20 ST PL	36	807384	1	Rod Handle
16	711377	4	Nut-Nyloc 1/4-20	37	807385	1	Knob Handle
17	711420	2	Nut-Hex Jam 5/16-18 STPL	38	829052	2	Bushing-FLG .312 x .437 x .31
18	711505	2	WSR-Flat 1/4				

## INSTALLATION INSTRUCTIONS SQUEEGEE ASSEMBLY

1. Turn existing tank upside down and remove both casters (A) and reinforcement plates (B).
2. Replace reinforcement plates (B), position item (C) on tank, and reinstall casters through bracket as shown.
3. Install item 11 with bolt 26, washers 20 and nut 2.
4. Install item 12 with bolts 14 and washers 23.
5. Install item 13 with lock washers 22 and wingnuts 15.
6. Turn tank assembly right side up and remove washers and nuts (D) and weldnuts (E) from handle assembly. Replace existing bolts with new bolts, item 30, and secure with weldnuts (E). Mount item 9 onto new bolts using washers, item 18, and acorn nuts (D).
7. Slide item 36 through item 9 and mount to item 12 with bolts 29 and nuts 16.

## ADJUSTMENTS

Angle of squeegee assembly can be adjusted if needed, by loosening nut 17 and turning item 33. Both sides may need adjusting so that squeegee blade is parallel to floor in down position.

# LIMITED WARRANTY

Minuteman International, Inc. warrants to the original purchaser/user that this product is free from defects in workmanship and materials under normal use and service for a period of three years from date of purchase. In addition, Minuteman International, Inc. will, at its option, honor labor warranty claims for the first 12 months from date of sale, provided such claims are submitted through and approved by factory authorized repair stations. Minuteman International, Inc. will, at its option, repair or replace without charge, except for transportation costs, parts that fail under normal use and service when operated and maintained in accordance with the applicable operation and instruction manuals.

This warranty does not apply to normal wear, or to items whose life is dependent on their use and care, such as belts, cords, switches, hoses, rubber parts, electrical motor components or adjustments. Parts not manufactured by Minuteman International, Inc. such as engines, batteries, battery chargers, hydraulic pumps, and tires are covered by and subject to the warranties and/or guarantees of their manufacturers. Please contact Minuteman International, Inc. for procedures in warranty claims against these manufacturers.

**Special warning to purchaser** — Use of replacement filters and/or prefilters not manufactured by Minuteman International, Inc. or its designated licensees, will void all warranties expressed or implied.

A potential health hazard exists without exact original equipment replacement.

All warranted items become the sole property of Minuteman International, Inc. or its original manufacturer, whichever the case may be.

Minuteman International, Inc. disclaims any implied warranty, including the warranty of merchantability and the warranty of fitness for a particular purpose. Minuteman International, Inc. assumes no responsibility for any special, incidental or consequential damages.

This limited warranty is applicable only in the U.S.A. and Canada, and is extended only to the original user/purchaser of this product. Customers outside the U.S.A. and Canada should contact their local distributor for export warranty policies. Minuteman International, Inc. is not responsible for costs or repairs performed by persons other than those specifically authorized by Minuteman International, Inc. This warranty does not apply to damage from transportation, alterations by unauthorized persons, misuse or abuse of the equipment, use of non-compatible chemicals, or damage to property, or loss of income due to malfunctions of the product.

If a difficulty develops with this machine, you should contact the dealer from whom it was purchased.

This warranty gives you specific legal rights, and you may have other rights which vary from state to state. Some states do not allow the exclusion or limitation of special, incidental or consequential damages, or limitations on how long an implied warranty lasts, so the above exclusions and limitations may not apply to you.

## **Minuteman**<sup>®</sup>

**World Headquarters**  
Minuteman International, Inc.  
111 South Rohlwing Road  
Addison, Illinois 60101

Minuteman Canada, Inc.  
2210 Drew Road  
Mississauga, Ontario  
L5S 1B1

(630) 627-6900  
FAX (630) 627-1130

(905) 673-3222  
FAX (905) 673-5161

988081  
Printed in U.S.A.